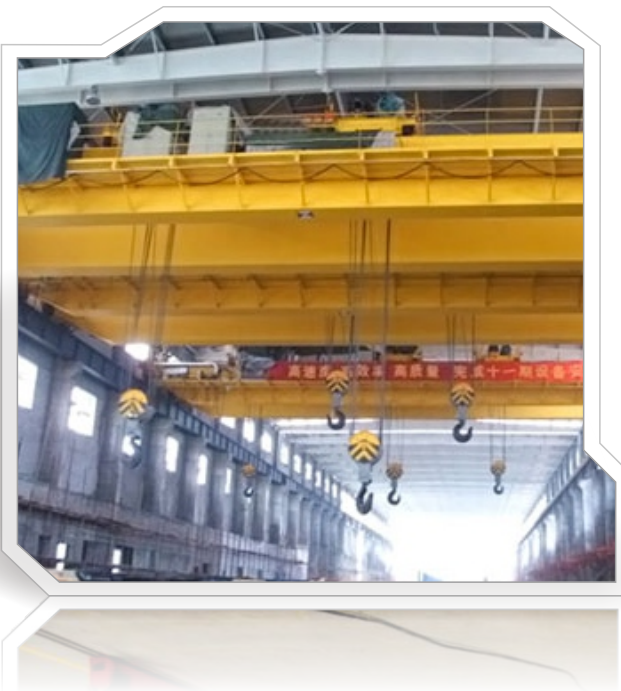




YUANTAI CRANE

QE Double-trolley Overhead Crane Specifications



- Compact structure, new style, beautiful outlooking
- Good in usability with long service life
- Bearing high capacity, high working class
- Flexible operating, safe and reliable

■ Part 1 Introduction

◆ Basic Parameters

Type:	QE
Lifting capacity:	(2.5+2.5)t~(200+200)t
Span:	10.5-35m
Working class:	A5,A6
Temperature:	-20~+40℃

◆ Overview

It adds a trolley on QD overhead crane becoming double trolley crane;
Mainly be used to lift long and big loads or some sets with two long distance lifting points;
Design and manufactured in accordance with GB/T 14405, General Bridge Crane ;
Widely used in storage, workshop, stockyard;
The two can achieve the lifting, dropping and travelling at same time, also can drive individually.

◆ Features

(1) In General

Compact structure, new style, beautiful outlook.
Good in usability with long service life.
Bearing high capacity, high working class.
Flexible operating, safe and reliable.
Widely used and competitive on quality and price.

(2) Main Body

Double girder, welding box beam, camber meet national standard;
Adopt high quality carbon steel, Q235B or Q345B; (similar as Fe37 or Fe 52);
Mainwelding submerged arc welded automatically, nondestructive flaw detection;
The trolley consisted with motor, reducer, brake, coupling, the wheel, drum;
No asbestos brake pad or brake block, insert the card installed, safe and reliable;
The speed reducer has hard-toothed surface, compact structure, durable;
End girder is matched with rail buffer and rail clearance device;
Crane protection grade is IP54 or IP44;
F grade insulation, brake effectively and long service life.

(3) Electric System

Electric box layout is reasonable, easy to repair;
Security trolley line or angle steel trolley line;
External cable is equipped with mark line number;
Trolley moving' power is supplied by flat cable;
And the conductor is I steel or C shape sliding line;
Safe touch line conductive rate is high, low pressure;
Set electric taxi speed is high;
Lifting and crane can be independently controlled and also can run separately or together;
Sliding smooth, and beautiful outlook.

(4) Protection Devices

Outdoor crane are equipped with lifting mechanism, electrical control box and rainproof devices;
 Set the trolley trip spacing device, anti-collision device;
 Audible and visual alarm device;
 And set platform, cover and protecting barriers.

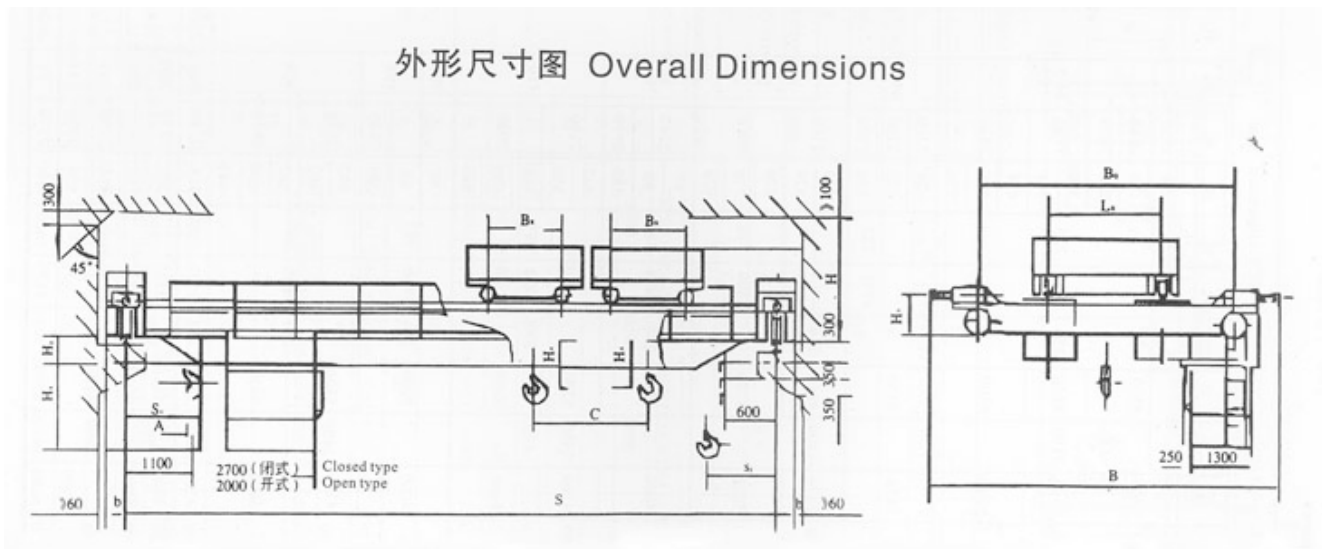
(5) Operation Device

Ground control and cabin control;
 Special cabin for bridge crane or capsule driver room, open vision comfortable operation;
 The cable has open style, close style, can fixed on left or right;
 The open direction includes end open, side open or top open;
 The cabin has special small room and the capsule cabin;
 Ground control has handle and remote control; do not need to set up special driver;
 Users can choose as you need.

(6) Optional Function

All the mechanism aped regulation is 1:10 or bigger;
 Overload limiter and alarm display, and the load of weighing and display ;
 Height limiter device;
 The change between main hook and aux hook on single trolley central lubrication;
 PLC controlling and accident testing, record display and typing system.

Part 2 Drawing



Part 3 Parameters

技术规格 Technical Specifications

起重量 Cap t	尺寸 Dimension mm															
	跨度 Span S m	L _x	B ₀	B _x	B	b	H	H ₁	H ₂	H ₃	H ₄	H ₅	S ₁	S ₂	S ₃	S ₄
2.5+2.5	10.5	1400	3400	1100	4500	230	1754	725	-24	2350	44.5	800	1250	1830		
	13.5								126	2220						
	16.5								226	2170						
	19.5								376	2180						
	22.5		526	2010												
	25.5		676													
	28.5		826													
	31.5		976													
5+5	10.5	1400	3450	1100	4450	230	1751	725	-24	2350	44.5	800	1250	1830		
	13.5								126	2220						
	16.5								226	2170						
	19.5								376	2180						
	22.5		526	2010												
	25.5		628													
	28.5		778													
	31.5		928													
10+10	10.5	2000	4000	1400	5200	230	1930	787	80	2240	500	1000	1350	2300		
	13.5								82	2170						
	16.5								182	2170						
	19.5								242	2180						
	22.5		390	2010												
	25.5		546													
	28.5		690													
	31.5		840													
10+10 重级 Heavy	10.5	2000	4000	1400	5200	230	1930	787	80	2290	408	1000	1350			
	13.5								84	2170						
	16.5								184	2170						
	19.5								242	2180						
	22.5		392	2010												
	25.6		542													
	28.5		694													
	31.5		842													
15+15	22.5	2000	4200	1700	5630	300	2521	1000	414	2180	468	2700	1350	1500		
20+20	13.5	2000	4300	1700	5830	300	2338	1020	96	2230	300	2640	1500	1700		
	28.5	3000	5500		7030		2332		702	2010						
30+30	22.5	2500	4800	2200	6530	300	2499	1020	404	2180	391	3050	1700	1700		
	28.5		5000				2638		1070	654						
30/5+30/5	36	3000	6100	2630	8380	305	2679	1080	1380	2170	-31	3630	1600	1700		



Henan Yuantai Crane Machinery Import&Export Co.,Ltd.

Address:Henghua Business Building 712,Garden Road,Zhengzhou,Henan,China.

Tel: 86-371-65760776

Fax: 86-371-65760775

Web: www.ytcrane.com

Email: yuantai@ytcrane.com



Tips:

You can use the phone dimensional code recognition software to scan the right side of the two-dimensional code, to quickly and easily access our web site for more information.