



YUANTAI CRANE

Winch Specification



- Generality, Compact structure.
- Small volume, light dead weight
- Heavy lifting capacity, convenient movement.

Part 1 Product Overview

◆ Brief introduction

The winch completes the traction drive with human power or mechanical power driving a reel. It can vertically lift or horizontally and obliquely draw heavy weights.

An electric winch consists of a motor, the coupling, the brake, the gear box, and the reel which are altogether installed on the machine frame. For high lifting height, heavy load and unload as well as frequent work, the winch has a good speed regulation making a empty hook swiftly down, and for installed or sensitive material, the winch can adopt a small speed.

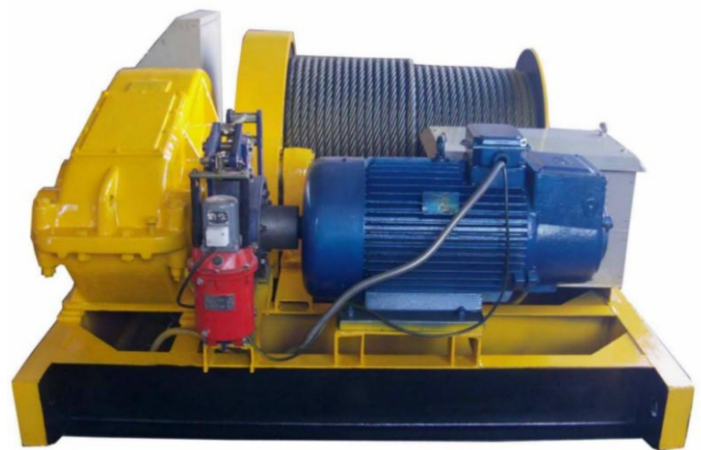
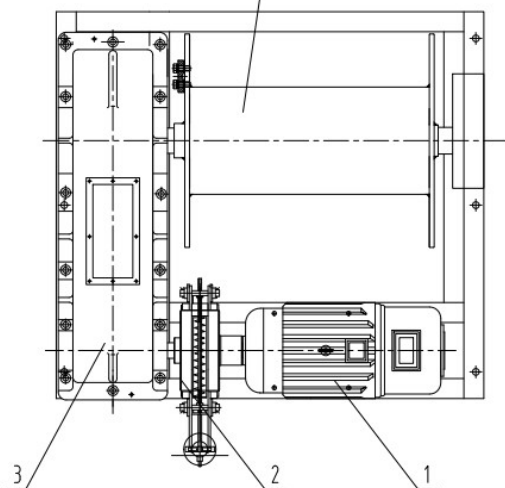


◆ Overall features

The winch has such features as generality, compact structure, small volume, light dead weight, heavy lifting capacity and convenient movement.

◆ Work principle

The winch transforms electric energy into mechanical energy through the motor1, which is rotor of the motor moves, outputs, and then through the brake 2, and the reducer 3 reduces speed to rotate the reel 4. The reel winds the wire rope and passes through pulley block to make the hook lift the load Q, and transforms mechanical energy into mechanical work finishing transportation, load and unload of heavy weights.



◆ Classification and features

There are JM series electronic control slow speed winch, JK electronic control high speed winch, JMM friction series winch, JK-D series winch and IKL series hand control high speed free rolling winch.

▶ JM series:

The winch below 10t is mainly used for hoisting, pulling and loading as well as drawing heavy weights. It is also used for all kinds of large and middle concrete constructure of steel, installation, and disassembly of mechanical equipment. It is suitable for construction and installation companies, mineral zone and plant. The winch equal or above 10t is mostly used for large and oversize concrete constructure of steel installation and disassembly of mechanical equipment. Orderly arrangement of the wire rope and safe lifting makes it suitable for kinds of bridge engineering, large factories, mine engineering equipment installation.



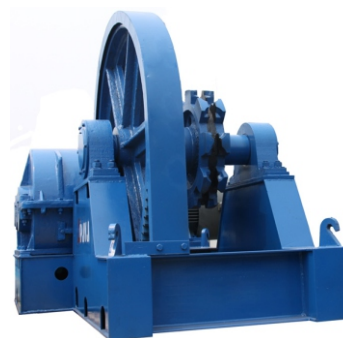
▶ JK series

the winch is mainly used for material lifting, heavy weights traction. It is also used for crane as the main hoist. It is the special winch of derrick and gantry frame and lifting trolley. It is suitable for construction and small equipment installation of construction, mine and factory.



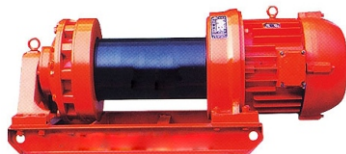
▶ JMM series

The series winch is mainly used for long-distance traction of all kinds of large and super concrete and steel structure and steel cable as well as lift of large construction. Orderly arrangement of the wire rope and safe lifting makes it suitable for kinds of bridge engineering, large factories, mine engineering equipment installation.



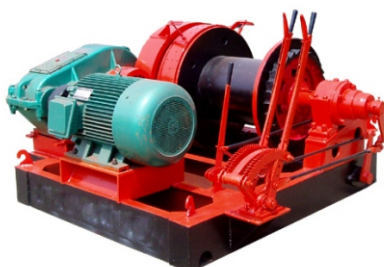
▣ JK-D series

This winch, with small teeth difference, has compact and small structure, smooth running, convenient and easy maintenance, low noise and a long service life. It is widely used for construction, lift and installation of port, bridge and metallurgy.



▣ JKL series

This series of winch is mostly used for vertically lifting heavy weights in construction site, factories and mines, and ports, especially in bridge dock construction base engineering free-fall punching piling operation.



Part 2 Product Parameter

◆ JM

Model	Rated load (KN)	Rated speed (m/min)	Rope length (m)	Rope dia. (mm)	Motor type	Motor power (KW)	Overall dimension (mm)	Dead weight (kg)
JM1	10	15	100	φ9.3	Y112M-6	3	620x701x417	270
JM1.6	16	16	150	φ12.5	Y132M ₂ -6	5.5	945x996x570	500
JM2	20	16	150	φ13	Y160M-6	7.5	945x996x570	550
JM3.2	32	9.5	150	φ15.5	YZR160M ₂ -6	7.5	1430x1160x910	1100
JM5	50	10	270	φ21.5	YZR160L-6	11	1235x1230x805	1560
JM6	60	9.5	270	φ24	YZR180L-6	15	1235x1590x805	1800
JM8	80	8	250	φ26	YZR180L-6	15	2090x1475x956	2900
JM10	100	8	170	φ30	YZR200L-6	22	2090x1475x956	3800
JM12.5	125	10	300	φ34	YZR225M-6	30	2880x2200x1550	5000
JM13.5	135	5	290	φ28	YZR225S-8	22	2990x2363x1650	6500
JM16	160	10	500	φ37	YZR250M ₂ -8	37	3750x2400x1850	8800
JM20	200	10	600	φ43	YZR280S-8	45	3950x2560x1950	9900
JM25	250	9	700	φ48	YZR280M-8	55	4350x2800x2030	13500
JM32	320	9	700	φ56	YZR315S-8	75	4500x2850x2100	14800
JM50	500	8	800	φ65	YZR315M-8	90	4930x3050x2250	19500
JM65	650	10	3600	φ64	LA8315-8AB	160	5900x4680x3200	46000

◆ JK

Model	Rated load (KN)	Rated speed (m/min)	Rope length (m)	Rope dia. (mm)	Motor type	Motor power (KW)	Overall dimension (mm)	Dead weight (kg)
JK0.5	5	22	190	φ7.7	Y100L-4	3	620x701x417	200
JK1	10	22	100	φ9.3	Y112M-4	4	620x701x417	300
JK1.6	16	24	150	φ12.5	Y132S-4	5.5	945x996x570	500
JK2	20	24	150	φ13	Y132M-4	7.5	945x996x570	550
JK3.2	32	25	290	φ15.5	YZR180L-6	15	1325x1335x840	1011
JK5	50	30	300	φ21.5	YZR225M-6	30	1900x1620x985	2050
JK8	80	25	160	φ26	YZR280S-8	45	1533x1985x1045	3000
JK10	100	30	300	φ30	YZR315S-8	55	2250x2500x1300	5100

◆ JMM

Model	Rated load (KN)	Rated speed (m/min)	Rope length (m)	Rope dia. (mm)	Motor type	Motor power (KW)	Overall dimension (mm)	Dead weight (kg)
JMM10	100	10	48000	φ30	YZR225M-6	30	1980x2650x850	6000
JMM16	160	11	1000	φ34.5	YZR250M ₂ -6	45	3350x1920x1320	9500
JMM20	200	11	3600	φ39	YZR280S-6	55	3500x1960x1320	10000
JMM32	320	10	3200	φ52	YZR280M-6	75	4330x2350x1760	16000
JMM55	550	5	2000	φ60	YZR280M-6	75	5000x2800x1900	22000

◆ JK-D

Model	Rated load (KN)	Rated speed (m/min)	Rope length (m)	Rope dia. (mm)	Motor power (KW)	Overall dimension (mm)	Dead weight (kg)
JK0.75D	7.5	30	100	φ9.3	3	900x340x400	165
JK1.25D	12.5	46	120	φ11	7.5	1140x400x450	315
JK1.60D	16	28	160	φ12.5	7.5	1200x440x480	350
JK2.0D	20	36	190	φ13	13	1400x470x548	510

◆ JKL

Model	Rated load (KN)	Rated speed (m/min)	Rope length (m)	Rope dia. (mm)	Motor type	Motor power (KW)	Overall dimension (mm)	Dead weight (kg)
JKL2	20	30	150	φ13	YZR180L-6	15	1370x1650x1210	1200
JKL3	30	30	200	φ15	YZR200L-6	22	1690x1740x1200	1800
JKL5	50	30	250	φ21	YZR225S-6	37	2300x2100x1650	3000
JKL6	60	36	250	φ24	YZR280S-6	45	2350x2100x1650	3200
JKL8	80	29	250	φ26	YZR280M-6	55	2440x2500x1800	5500
JKL10	100	29	250	φ28	YZR315S-6	75	2590x2540x1800	5800



Henan Yuantai Crane Machinery Import&Export Co.,Ltd.

Address:Henghua Business Building 712,Garden Road,Zhengzhou,Henan,China.

Tel: 86-371-65760776

Fax: 86-371-65760775

Web: www.ytcrane.com

Email: yuantai@ytcrane.com



Tips:

You can use the phone dimensional code recognition software to scan the right side of the two-dimensional code, to quickly and easily access our web site for more information.